

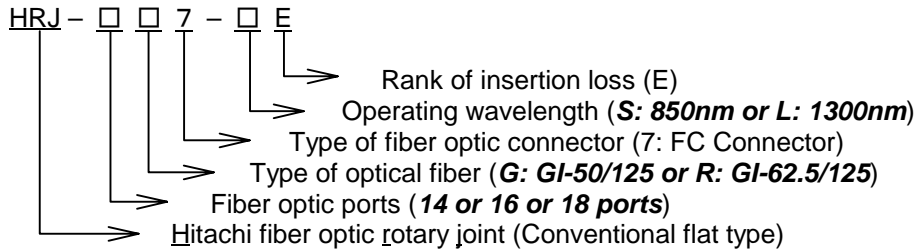
PRODUCT DATA SHEET
 for
FIBER OPTIC ROTARY JOINT (CONVENTIONAL FLAT TYPE (14,16,18PORTS))
(HRJ-□□7-□E)

1. Description

Fiber optic rotary joint has rotator side port and stator side port.

2. Type

The designation used in our product type has the following definition. Please specify which type is required at the time of order.



3. Scope of our supply

The scope of supply of our fiber optic rotary joint is composed of the following parts as shown in Table 1.

Table 1

No.	Description	Q' ty
1	Fiber optic rotary joint as per drawing Figure 1.	1 pc.
2	Connecting rod as per drawing Figure 2.	1 pc.

Note 1 : The typical mounting example of the fiber optic rotary joint with other related components are shown in the drawing Figure 3.

4. Properties

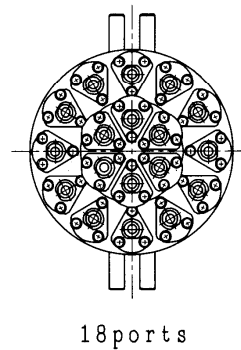
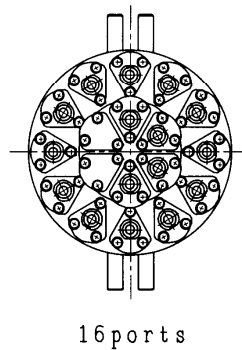
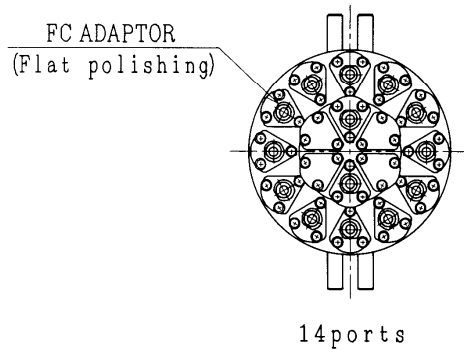
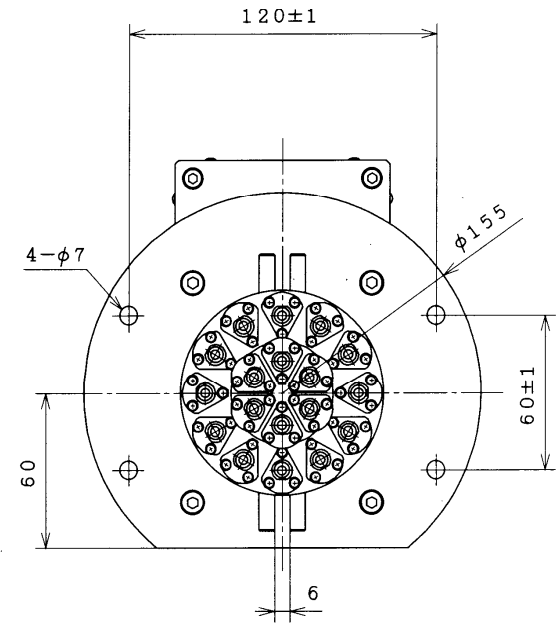
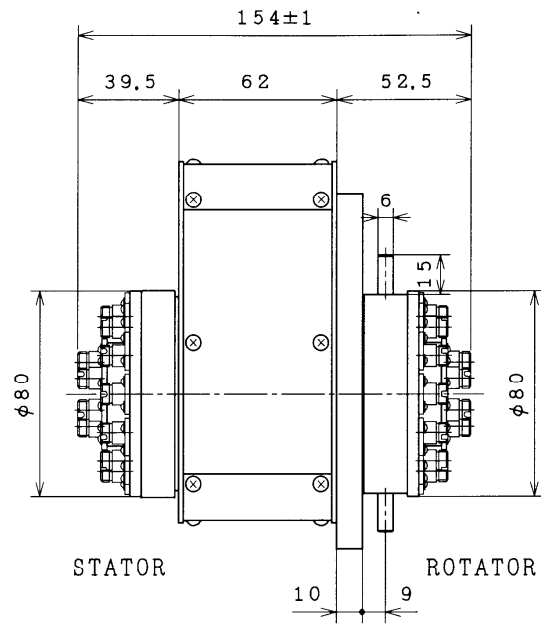
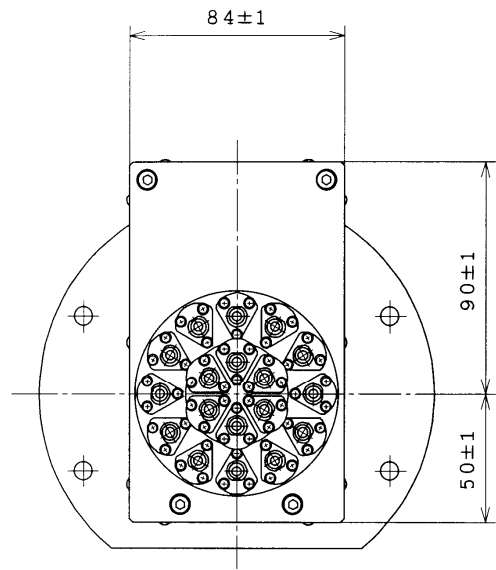
Properties of the fiber optic rotary joint are shown in Table 2.

Table 2

No.	Description	Properties	
1	Available fiber optic ports	14	14 ports
		16	16 ports
		18	18 ports
2	Applicable fiber type	G	GI-50/125
		R	GI-62.5/125
3	Applicable connector type	7	FC type (Flat polishing)
4	Operating Wavelength	S	850 nm
		L	1300 nm
5	Insertion loss	E	≤ 5.0 dB
6	Cross-talk		≥ 50 dB
7	Operating temperature		-10 ~ +60 °C
8	Strage temperature		-20 ~ +70 °C
9	Rotation speed		Max. 100 rpm
10	Durations		Max. 10 ⁷ rotations
11	Net weight		Approx. 5 kg

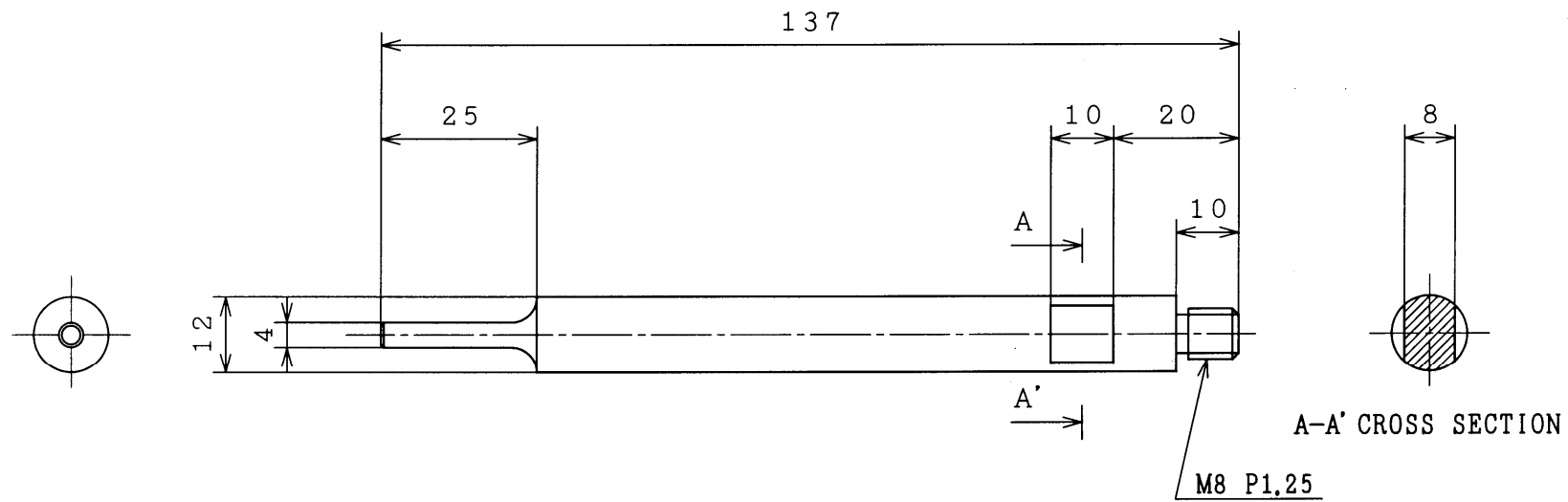
5. Packing

The fiber optic rotary joint shall be packed in wooden box or carton box suitable for export.



(Unit:mm)

Figure 1. Fiber Optic Rotary Joint
(Conventional Flat Type, 14~18ports)



(Unit:mm)

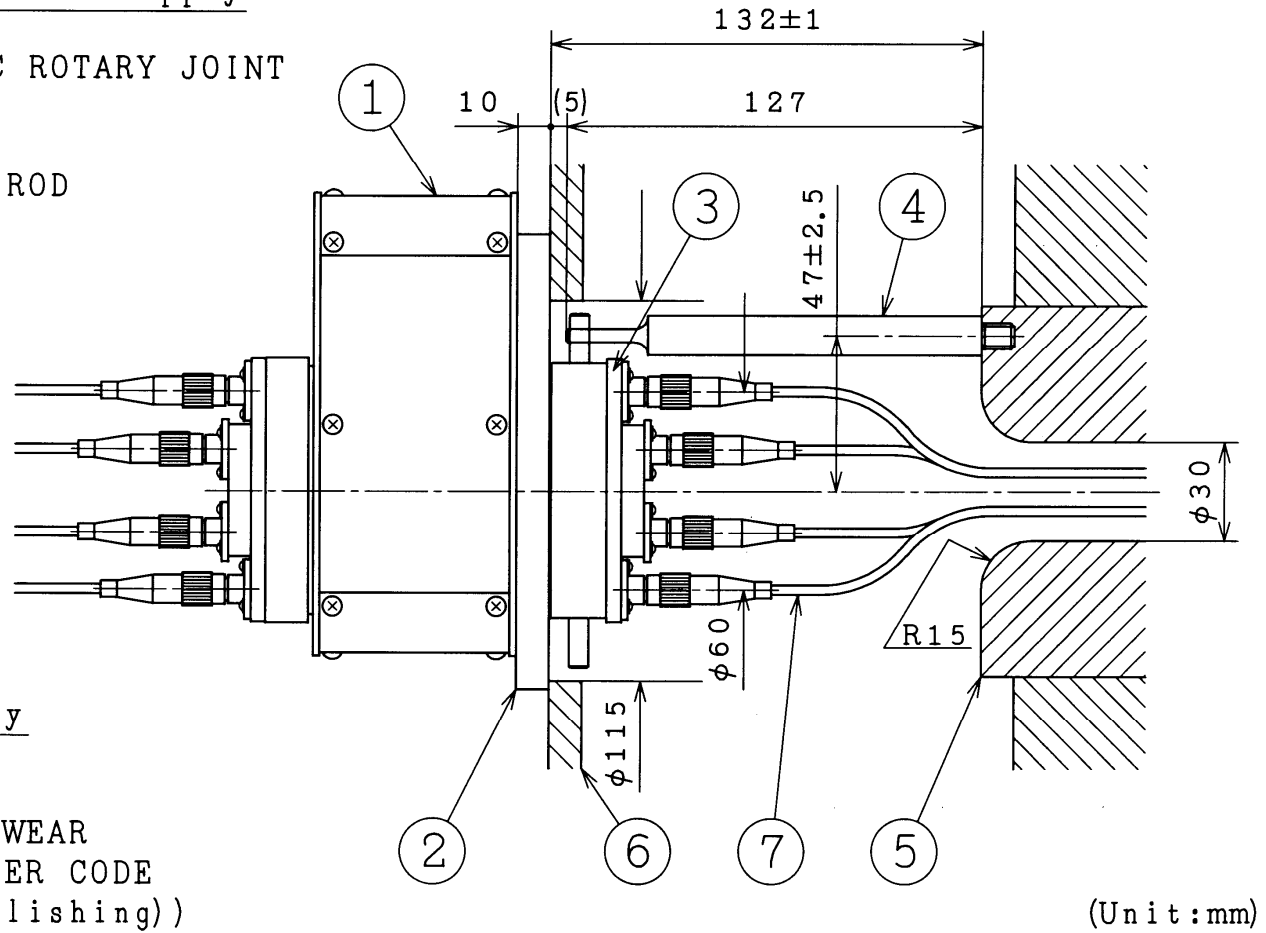
Figure 2. Connecting Rod

Hitachi's scope of supply

- ① FIBER OPTIC ROTARY JOINT
- ② FLANGE
- ③ HOLDER
- ④ CONNECTING ROD

Client's supply

- ⑤ SHAFT
- ⑥ FIXING HARDWEAR
- ⑦ OPTICAL FIBER CODE
(FC (Flat polishing))



(Unit:mm)

Figure 3. Installation method of
Fiber Optic Rotary Joint
(Conventional Flat Type, 14~18ports)