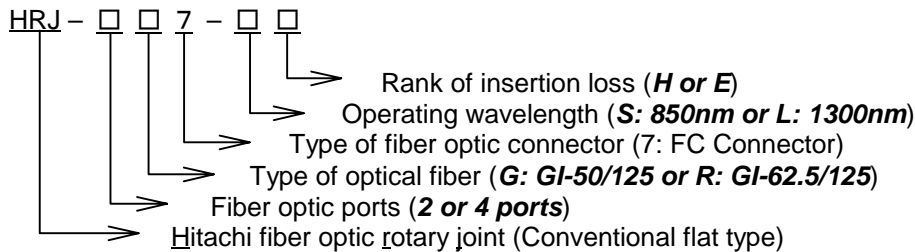


PRODUCT DATA SHEET
 for
FIBER OPTIC ROTARY JOINT (CONVENTIONAL FLAT TYPE (2,4PORTS))
(HRJ-□□7-□□)

1. Description
 Fiber optic rotary joint has rotator side port and stator side port.

2. Type
 The designation used in our product type has the following definition. Please specify which type is required at the time of order.



3. Scope of our supply
 The scope of supply of our fiber optic rotary joint is composed of the following parts as shown in Table 1.

Table 1

No.	Description	Q' ty
1	Fiber optic rotary joint as per drawing Figure 1.	1 pc.
2	Connecting rod as per drawing Figure 2.	1 pc.

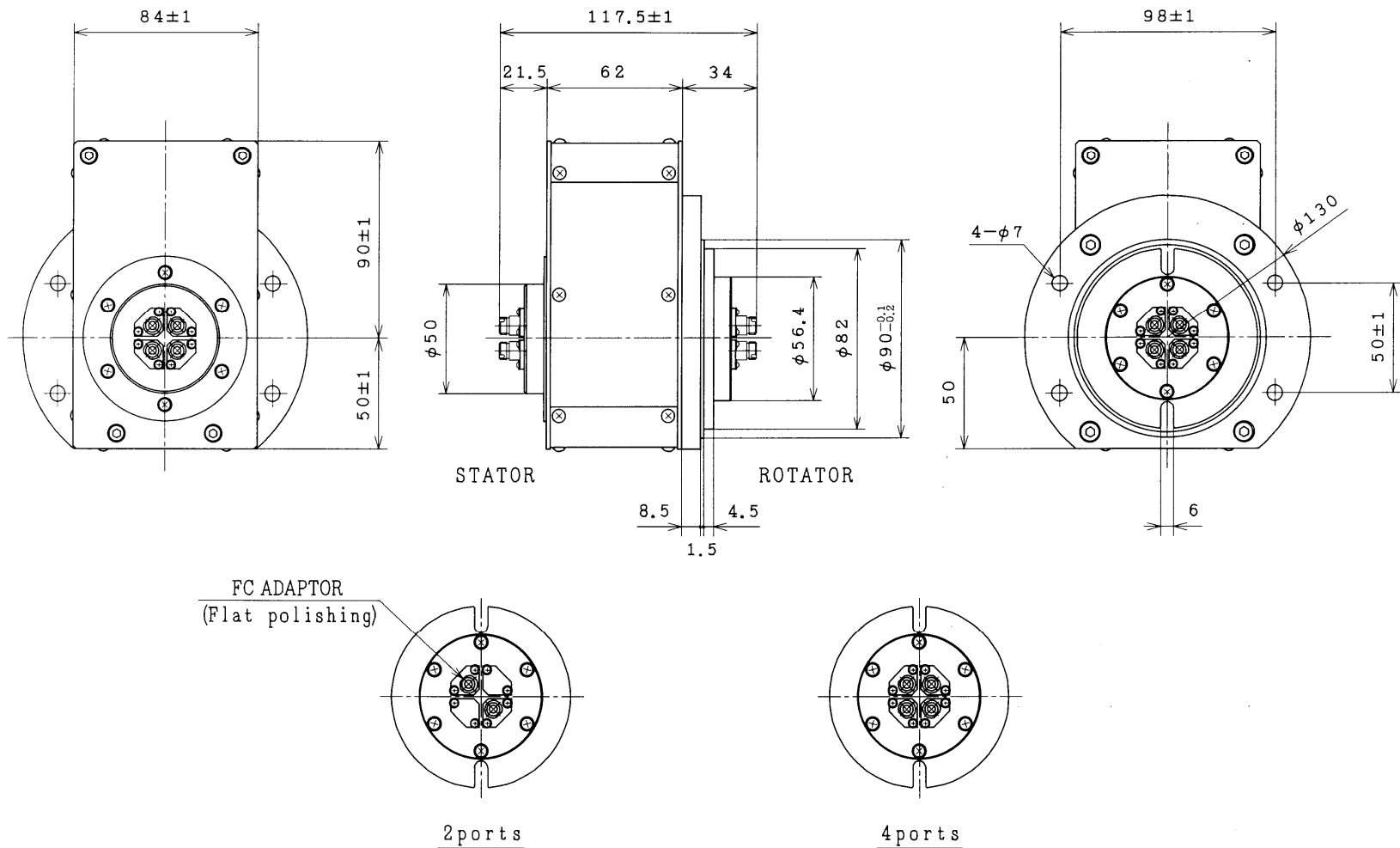
Note 1 : The typical mounting example of the fiber optic rotary joint with other related components are shown in the drawing Figure 3.

4. Properties
 Properties of the fiber optic rotary joint are shown in Table 2.

Table 2

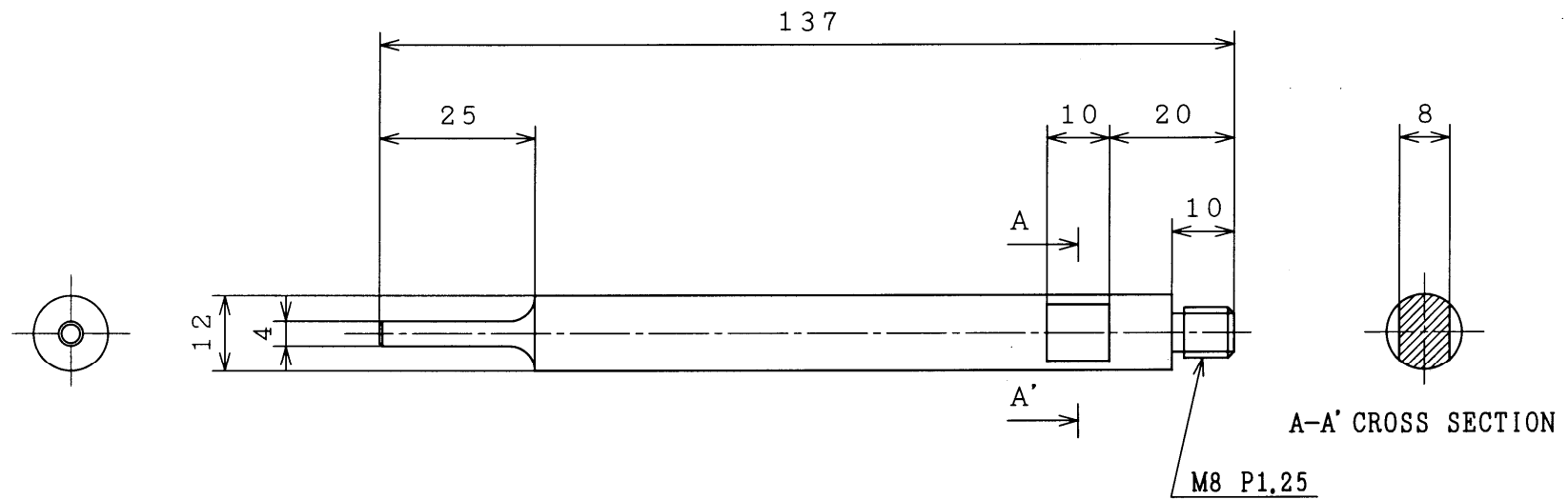
No.	Description	Properties	
		2	2 ports
1	Available fiber optic ports	4	4 ports
		G	GI-50/125
2	Applicable fiber type	R	GI-62.5/125
		7	FC type (Flat polishing)
3	Applicable connector type	S	850 nm
		L	1300 nm
4	Operating Wavelength	H	≤ 2.5 dB
		E	≤ 3.5 dB
5	Insertion loss	≥ 50 dB	
6	Cross-talk	-10 ~ +60 °C	
7	Operating temperature	-20 ~ +70 °C	
8	Storage temperature	Max. 100 rpm	
9	Rotation speed	Max. 10 ⁷ rotations	
10	Durations	Approx. 4 kg	
11	Net weight		

5. Packing
 The fiber optic rotary joint shall be packed in wooden box or carton box suitable for export.



(Unit:mm)

Figure 1. Fiber Optic Rotary Joint
(Conventional Flat Type, 4~6ports)

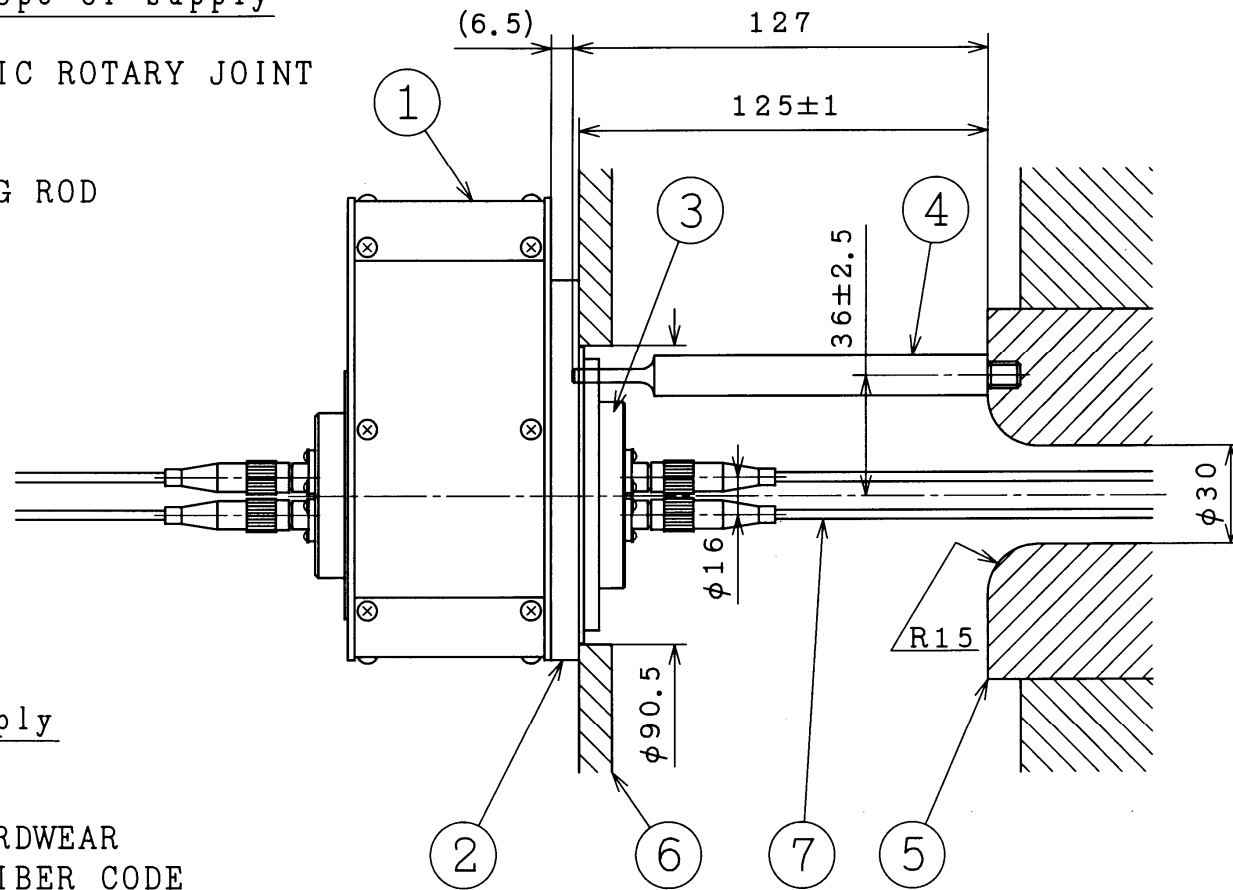


(Unit:mm)

Figure 2. Connecting Rod

Hitachi's scope of supply

- ① FIBER OPTIC ROTARY JOINT
- ② FLANGE
- ③ HOLDER
- ④ CONNECTING ROD



Client's supply

- ⑤ SHAFT
- ⑥ FIXING HARDWEAR
- ⑦ OPTICAL FIBER CODE
(FC (Flat polishing))

(Unit:mm)

Figure 3. Installation method of
Fiber Optic Rotary Joint
(Conventional Flat Type, 2~4ports)